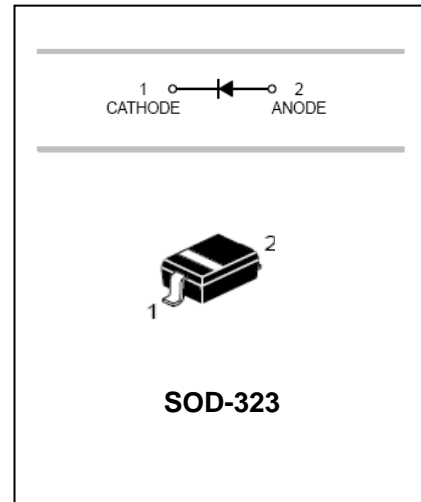


FEATURES

- Fast switching.
- Designed for surface mount application.
- Plastic material-UL recognition flammability classification 94V-0



APPLICATIONS

- Surface mount fast switching diode

ORDERING INFORMATION

| Type No. | Marking | Package Code |
|----------|---------|--------------|
| BAS16H | A6● | SOD-323 |

MAXIMUM RATING @ Ta=25°C unless otherwise specified

| Characteristic | Symbol | Value | Unit |
|--|-----------------|-------------|------|
| Continuous Reverse Voltage | V_R | 75 | V |
| Forward Continuous Current | I_F | 200 | mA |
| Peak forward surge current | I_{FSM} | 500 | mA |
| Power Dissipation | P_d | 200 | mW |
| Thermal Resistance Junction to Ambient | $R_{\theta JA}$ | 635 | °C/W |
| Junction and Storage Temperature Range | T_j, T_{STG} | -55 to +150 | °C |

ELECTRICAL CHARACTERISTICS @ Ta=25°C unless otherwise specified

| Characteristic | Symbol | Min | Max | Unit | Test Condition |
|---------------------------|-------------|-----|----------------------------|---------|---|
| Reverse Breakdown Voltage | $V_{(BR)R}$ | 75 | - | V | $I_R=100\mu A$ |
| Forward Voltage | V_F | - | 715 855 1000 1250 | mV | $I_F=1.0mA$ $I_F=10mA$ $I_F=50mA$ $I_F=150mA$ |
| Reverse Current | I_R | - | 1.0 50 30 | μA | $V_R=75V$ $V_R=75V, T_J=150^\circ C$ $V_R=25V, T_J=150^\circ C$ |
| Diode Capacitance | C_D | - | 2 | pF | $V_R=0, f=1.0MHz$ |
| Forward recovery voltage | V_{FR} | | 1.75 | V | $I_F=10mA, t_r=20nS$ |
| Stored Charge | Q_S | | 45 | pC | $I_F=10mA$ to $V_R=5.0V$ $R_L=500\Omega$ |
| Reverse Recovery Time | t_{rr} | - | 5 | ns | $I_F=I_R=10mA, R_L=50\Omega$ |

TYPICAL CHARACTERISTICS @ $T_a=25^\circ\text{C}$ unless otherwise specified

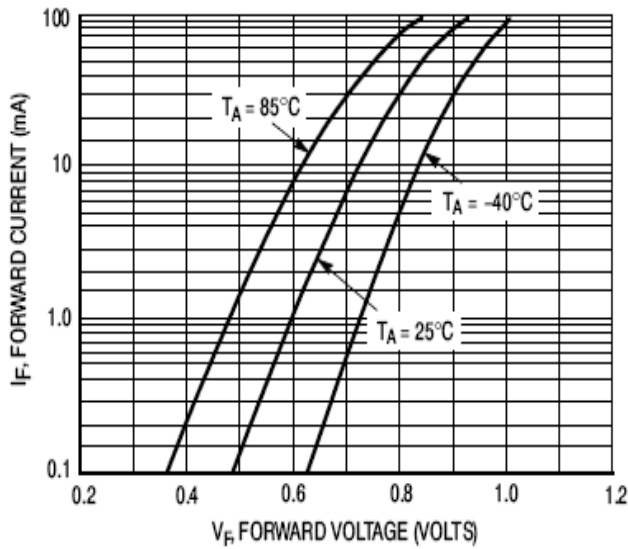


Figure 2. Forward Voltage

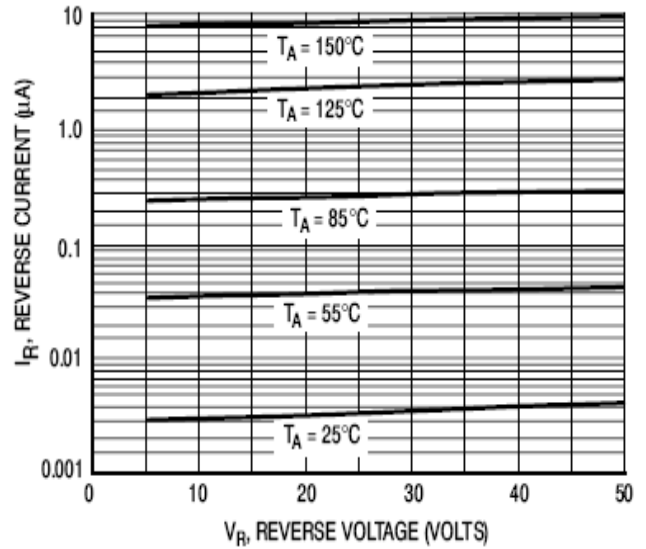


Figure 3. Leakage Current

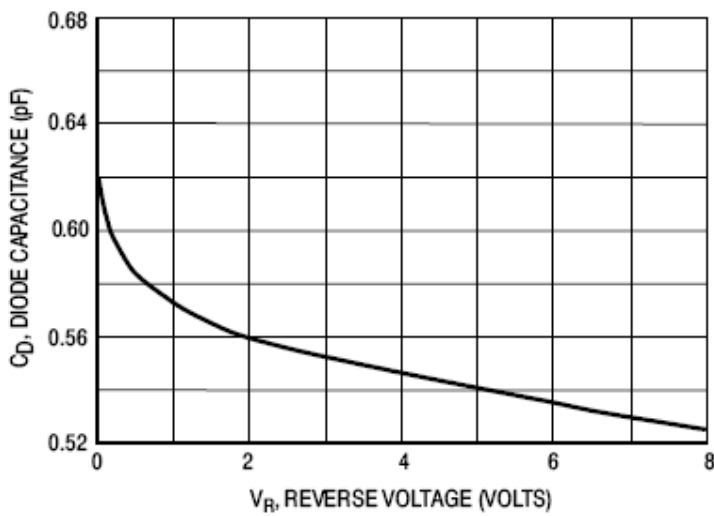


Figure 4. Capacitance

Diode Semiconductor Korea

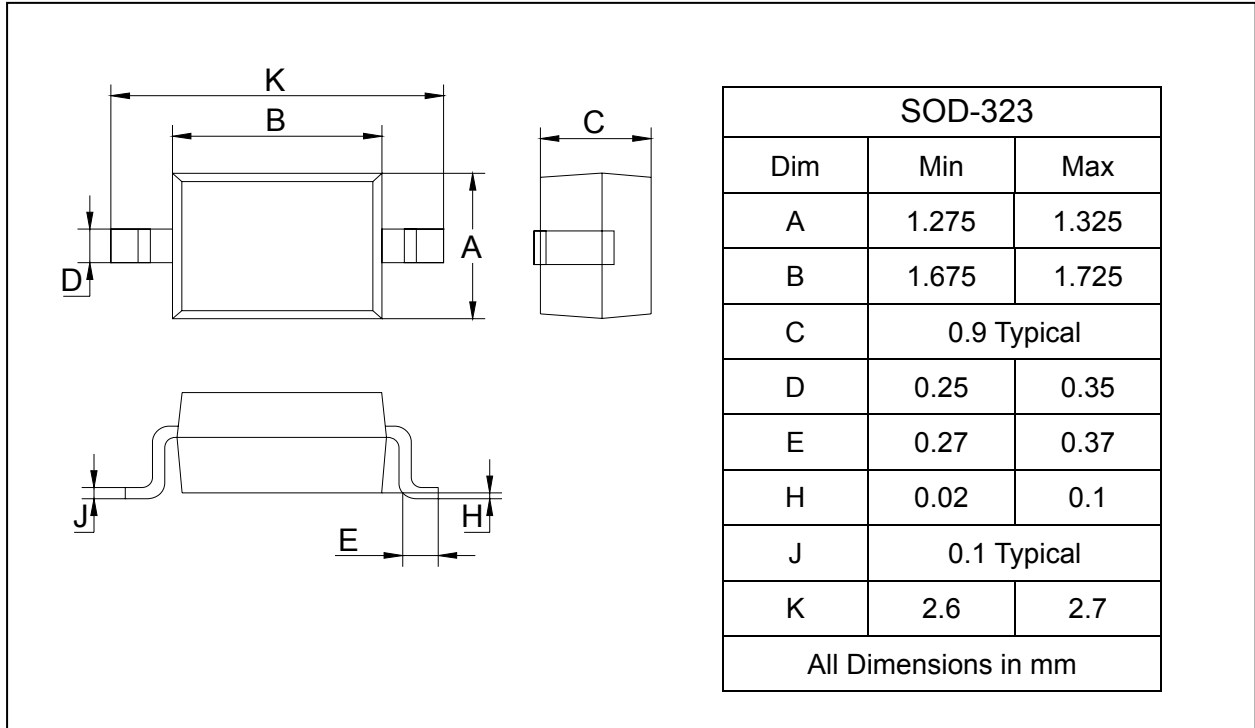
Surface Mount Switching Diodes

BAS16H

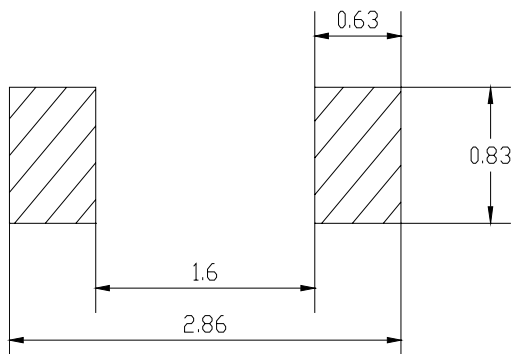
PACKAGE OUTLINE

Plastic surface mounted package

SOD-323



SOLDERING FOOTPRINT



Unit : mm

PACKAGE INFORMATION

| Device | Package | Shipping |
|--------|---------|----------------|
| BAS16H | SOD-323 | 3000/Tape&Reel |