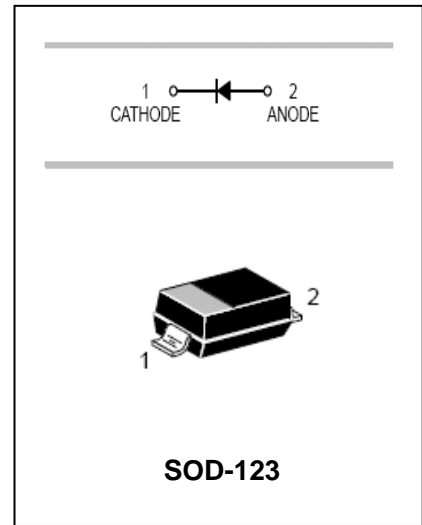


FEATURES

- Low Forward Voltage Drop.
- Guard Ring Construction for Transient Protection.
- Fast Switching Time.
- Low Reverse Capacitance.
- Surface Mount Package Ideally Suited for Automatic Insertion.



APPLICATIONS

- Surface mount fast switching schottky diode.

ORDERING INFORMATION

Type No.	Marking	Package Code
1N5711W	SA	SOD-123

MAXIMUM RATING @ Ta=25°C unless otherwise specified

Characteristic	Symbol	Value	Unit
Peak Repetitive Reverse Voltage Working Peak Reverse Voltage DC Reverse Voltage	V_{RRM} V_{RWM} V_R	70	V
RMS Reverse Voltage	$V_{R(RMS)}$	49	V
Forward Continuous Current	I_F	15	mA
Power Dissipation	P_d	250	mW
Thermal Resistance Junction to Ambient Air	$R_{\theta JA}$	600	°C/W
Operating and Storage Temperature Range	T_j, T_{STG}	-65 to +175	°C

Diode Semiconductor Korea

Surface mount schottky barrier diode

1N5711W

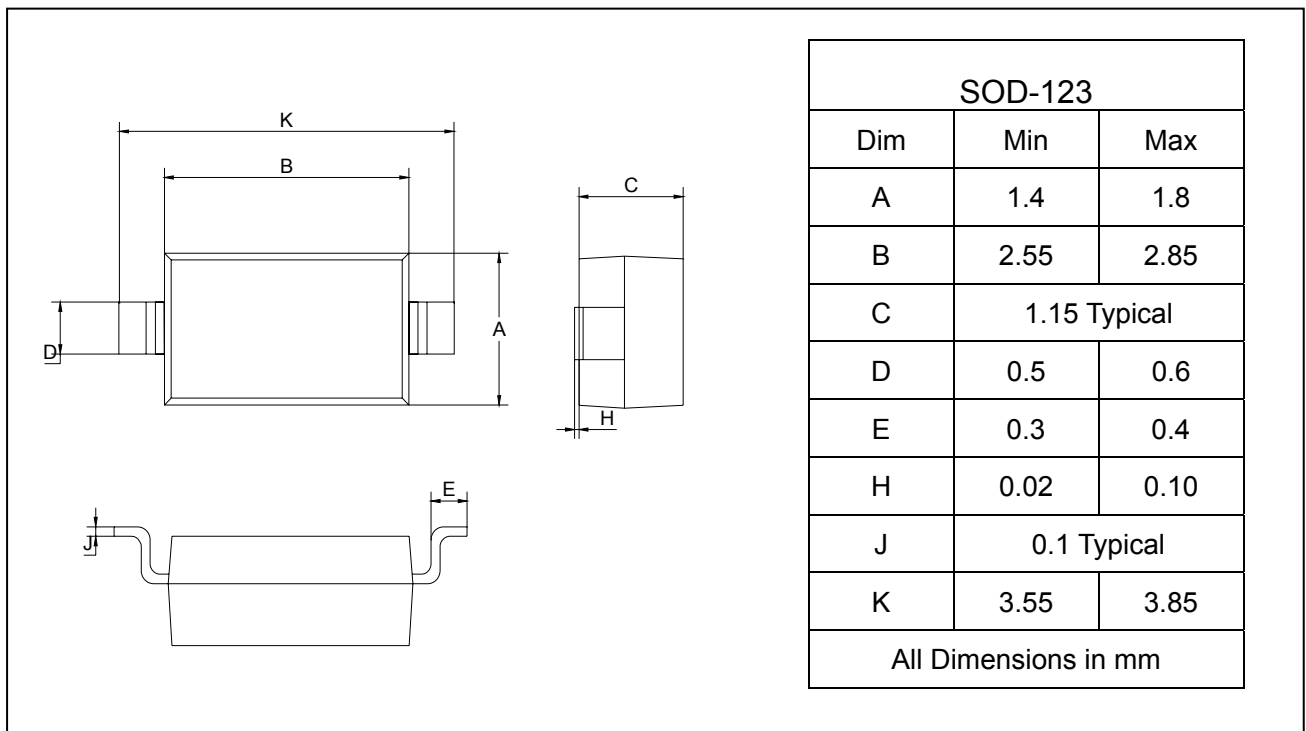
ELECTRICAL CHARACTERISTICS @ Ta=25°C unless otherwise specified

Characteristic	Symbol	Min	Max	Unit	Test Condition
Reverse Breakdown Voltage	$V_{(BR)R}$	70	-	V	$I_R=10\mu A$
Forward Voltage	V_{FM}	-	0.41 1.00	V	$I_F=1.0mA$ $I_F=15mA$
Reverse Current	I_R	-	200	nA	$V_R=50V$
Capacitance between terminals	C_j	-	2.0	pF	$V_R=0V, f=1.0MHz$
Reverse Recovery Time	t_{rr}	-	1.0	ns	$I_F=I_R=5.0mA,$ $I_{rr}=0.1 \times I_R, R_L=100\Omega$

PACKAGE OUTLINE

Plastic surface mounted package

SOD-123

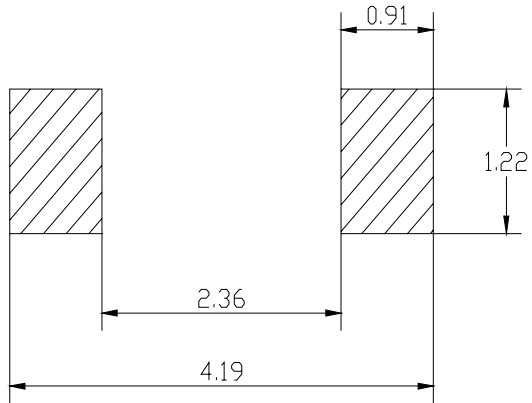


Diode Semiconductor Korea

Surface mount schottky barrier diode

1N5711W

SOLDERING FOOTPRINT



Unit: mm

PACKAGE INFORMATION

Device	Package	Shipping
1N5711W	SOD-123	3000/Tape&Reel